

# Hand Held Spherical Ball-Tipped Scribers for Surface Defect Analysis

### Surface Defect Scriber - Straight

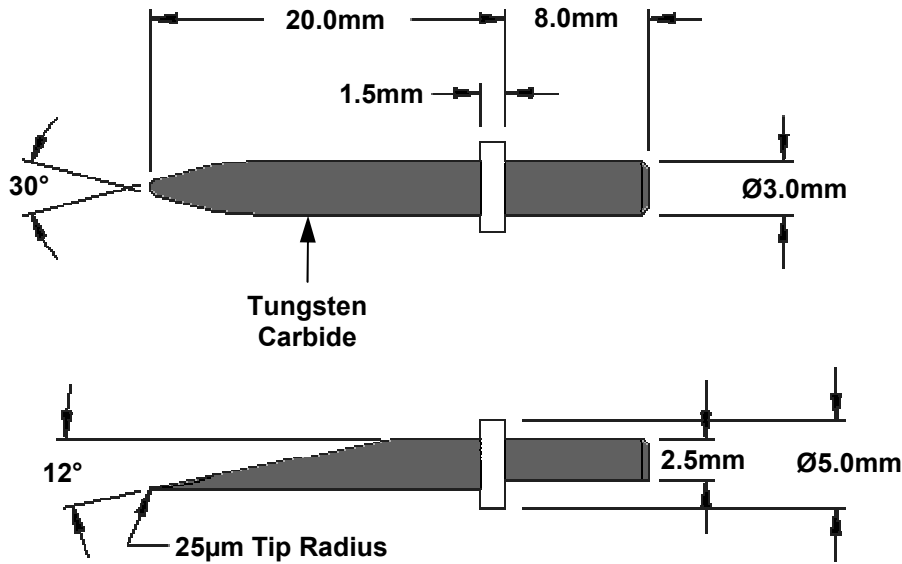
A Ball Dia.	Order Number
.010"	SDS-0100
.015"	SDS-0150
.020"	SDS-0200
.030"	SDS-0300
1.0mm	SDS-1.0mm
.040"	SDS-0400
1.5mm	SDS-1.5mm
.060"	SDS-0600
2.0mm	SDS-2.0mm
.080"	SDS-0800
.120"	SDS-1200
.160"	SDS-1600
.240"	SDS-2400

### Surface Defect Scriber - Right Angle

A Ball Dia.	Order Number
.010"	SDSRA-0100
.015"	SDSRA-0150
.020"	SDSRA-0200
.030"	SDSRA-0300
1.0mm	SDSRA-1.0mm
.040"	SDSRA-0400
1.5mm	SDSRA-1.5mm
.060"	SDSRA-0600
2.0mm	SDSRA-2.0mm
.080"	SDSRA-0800

# Contour Styli for Form Measurement

## Replacement Contracer Stylus Tip for Mitutoyo Contour Measurement

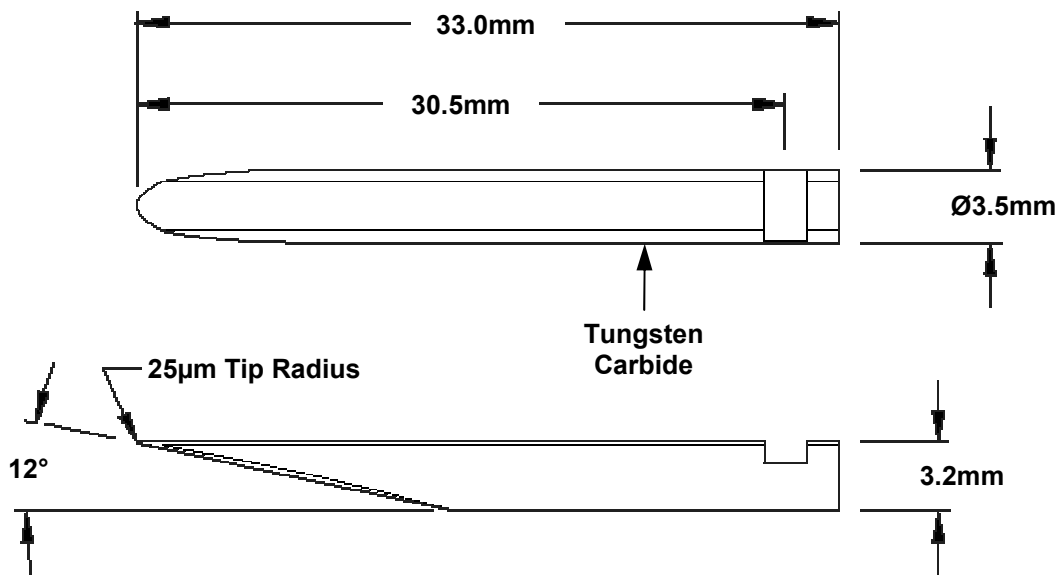


Order Number

CPM354884

Replacement for Mitutoyo Part Number: 354884 or SPH-71

## Replacement Contracer Stylus Tip for Mahr (MarSurf) Contour Measurement



Order Number

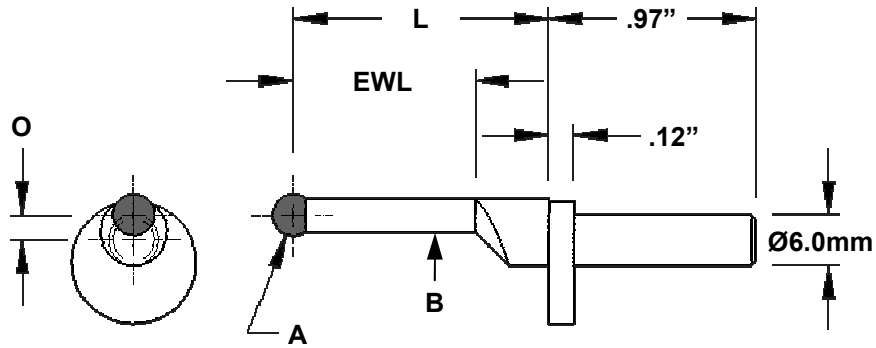
CPM6850286

Replacement for Mahr Part Number: 6850286

A Variety of Other Contour Replacement Stylus Tips are Available through Special Order, or Send Us Your Damaged Stylus Tips (Except those Listed as Standard Items in our Catalog) for Evaluation for Refurbishing to Like New Condition. Replacement Stylus Tips can also be Manufactured from Hardened High Speed Steel as a Custom Order. We Also Repair Damaged Surface Roughness Testing Styli and can Replace Worn or Damaged Diamond Tips.

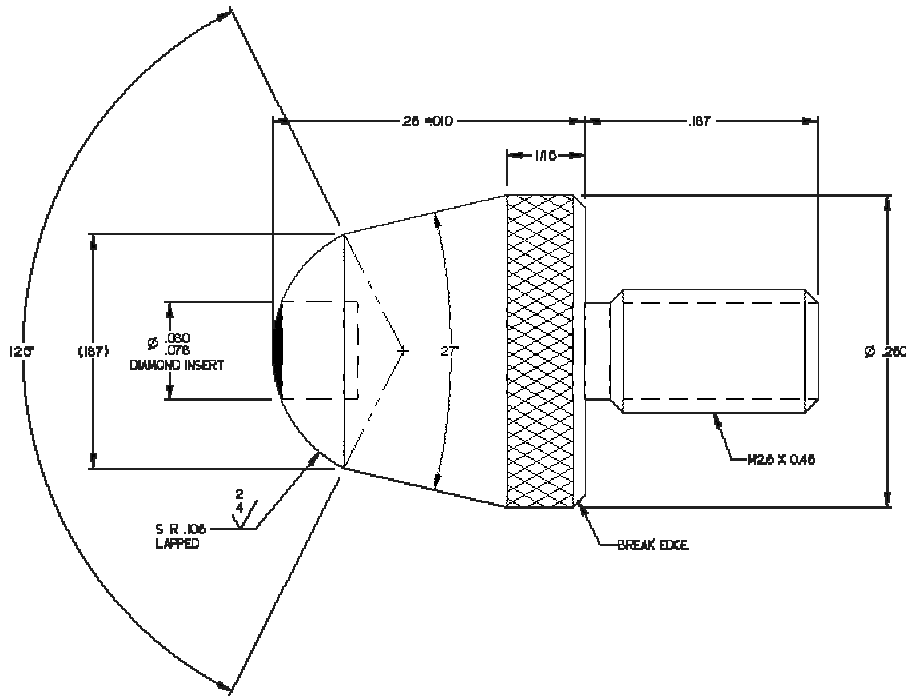


### Height Gauge Ball Tip Offset Probes (For Brown & Sharpe Micro-Hite)



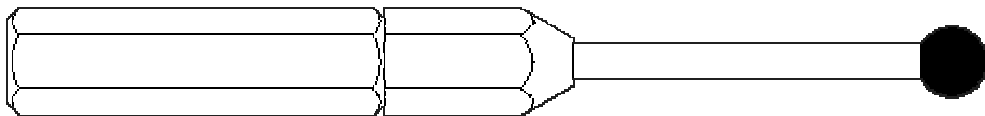
A Ball Dia.	B Stem Dia.	L Length	EWL	O Offset	Ball Material	Order Number
3.0mm	.078"	1.203"	.461"	.155"	Carbide	MH-223C
					Ruby	MH-223R
5.0mm	.156"	1.195"	.855"	.116"	Carbide	MH-224C
					Ruby	MH-224R

### Diamond Tipped Contact (Spherical Point)



Order Number
172246-01
For 4-48 Threaded Indicators Use Our Adaptor Order Number 343-E375 (Page 31 of Catalog)

**Custom Made Ball Gages to Your Specifications  
Available in Single or Double End**



# Ruby Balls

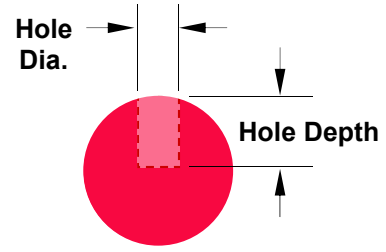


**Ruby Ball  
without Hole**

**Synthetic Ruby (Sapphire)**

**Grade 10  
Basic Dia. Tol.  $\pm .0001$ "  
Sphericity .00001"**

**Available with or  
without Hole**



**Ruby Ball  
with Blind Hole**

Ball Diameter	Hole Diameter X Depth	Order Number	Ball Diameter	Hole Diameter X Depth	Order Number
1/32"	No Hole	RB.0312	4.0mm	No Hole	RB4.0MM
1/32"	.013" X .015"	RB.0312H	4.0mm	.059" X .080"	RB4.0MMH
1.0mm	No Hole	RB1.0MM	.1875"	No Hole	RB.1875
1.0mm	.015" X .020"	RB1.0MMH	.1875"	.059" X .080"	RB.1875H
3/64"	No Hole	RB.0469	5.0mm	No Hole	RB5.0MM
3/64"	.018" X .025"	RB.0469H	5.0mm	.059" X .080"	RB5.0MMH
1.35mm	No Hole	RB1.35MM	7/32"	No Hole	RB.2187
1.35mm	.018" X .025"	RB1.35MMH	7/32"	.059" X .100"	RB.2187H
1.5mm	No Hole	RB1.5MM	6.0mm	No Hole	RB6.0MM
1.5mm	.018" X .030"	RB1.5MMH	6.0mm	.059" X .120"	RB6.0MMH
1/16"	No Hole	RB.0625	1/4"	No Hole	RB.2500
1/16"	.018" X .030"	RB.0625H	1/4"	.059" X .120"	RB.2500H
2.0mm	No Hole	RB2.0MM	7.0mm	No Hole	RB7.0MM
2.0mm	.025" X .040"	RB2.0MMH	7.0mm	.059" X .120"	RB7.0MMH
3/32"	No Hole	RB.0937	9/32"	No Hole	RB.2812
3/32"	.025" X .045"	RB.0937H	9/32"	.078" X .140"	RB.2812H
2.5mm	No Hole	RB2.5MM	5/16"	No Hole	RB.3125
2.5mm	.025" X .045"	RB2.5MMH	5/16"	.078" X .156"	RB.3125H
3.0mm	No Hole	RB3.0MM	8.0mm	No Hole	RB8.0MMH
3.0mm	.031" X .059"	RB3.0MMH	8.0mm	.078" X .156"	RB8.0MMH
1/8"	No Hole	RB.1250	9.0mm	No Hole	RB9.0MM
1/8"	.031" X .059"	RB.1250H	9.0mm	.078" X .156"	RB9.0MMH
3.5mm	No Hole	RB3.5MM	3/8"	No Hole	RB.3750
3.5mm	.031" X .059"	RB3.5MMH	3/8"	.098" X .187"	RB.3750H
5/32"	No Hole	RB.1562	10.0mm	No Hole	RB10.0MM
5/32"	.059" X .080"	RB.1562H	10.0mm	.098" X .187"	RB10.0MMH